

# RJ45 10/100 Base-T / Dual USB Combo Jack, w/ LEDs, Ext Temp



18.85 x 27.40 x 30.52mm

## ARJ-150B

RoHS/RoHS II Compliant

### FEATURES:

- Compliant with IEEE802.3ab standard
- Tab up RJ45 Jack + 2USB Combo
- High performance for maximum EMI suppression
- 350 $\mu$ H minimum OCL with 8mA bias current
- RoHS peak wave solder temperature 260°C

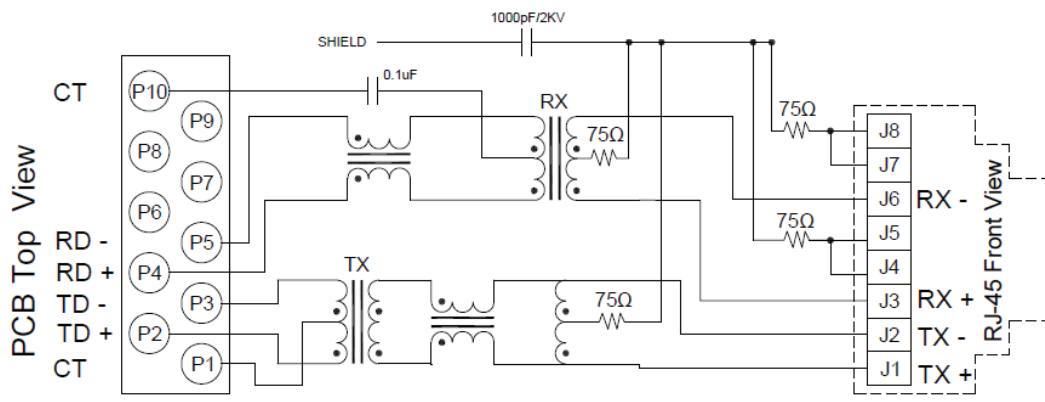
### APPLICATIONS:

- Support 10/100 Base-T applications w/ Bi-Color LEDs
- Extended Temperature (-40°C~85°C)
- Network Interface Cards(NIC), LAN-on-Motherboard(LOM) and PC
- Suitable CAT 3, 5e & 6 cable and UTP
- Provides signal conditioning, EMI suppression and signal isolation

### STANDARD SPECIFICATIONS

| Parameters               | Minimum           | Typical | Maximum | Units   | Notes           |
|--------------------------|-------------------|---------|---------|---------|-----------------|
| Operating Temperature    | -40               |         | +85     | °C      |                 |
| Storage Temperature      | -40               |         | +85     | °C      |                 |
| Turn Ratio ( $\pm 2\%$ ) | 1CT:1             |         |         |         | Tx              |
|                          | 1CT:1CT           |         |         |         | Rx              |
| Inductance (OCL)         | 350               |         |         | $\mu$ H | 100KHz/0.1V@8mA |
| Insertion Loss           |                   |         | -1.0    | dB      | 1-100MHz        |
| Return Loss              |                   | -20     |         | dB      | 1-10MHz         |
|                          |                   | -16     |         |         | 30MHz           |
|                          |                   | -12     |         |         | 60-80MHz        |
| Cross Talk               | -40               |         |         | dB      | 1-10MHz         |
|                          | -35               |         |         |         | 32-60MHz        |
|                          | -30               |         |         |         | 60-100MHz       |
| CMR                      |                   | -30     |         | dB      | 1-50MHz         |
|                          |                   | -20     |         |         | 50-130MHz       |
| Hi-Pot                   | 1500Vrms/1mA/1Sec |         |         |         | Pri to Sec      |

### SCHEMATICS



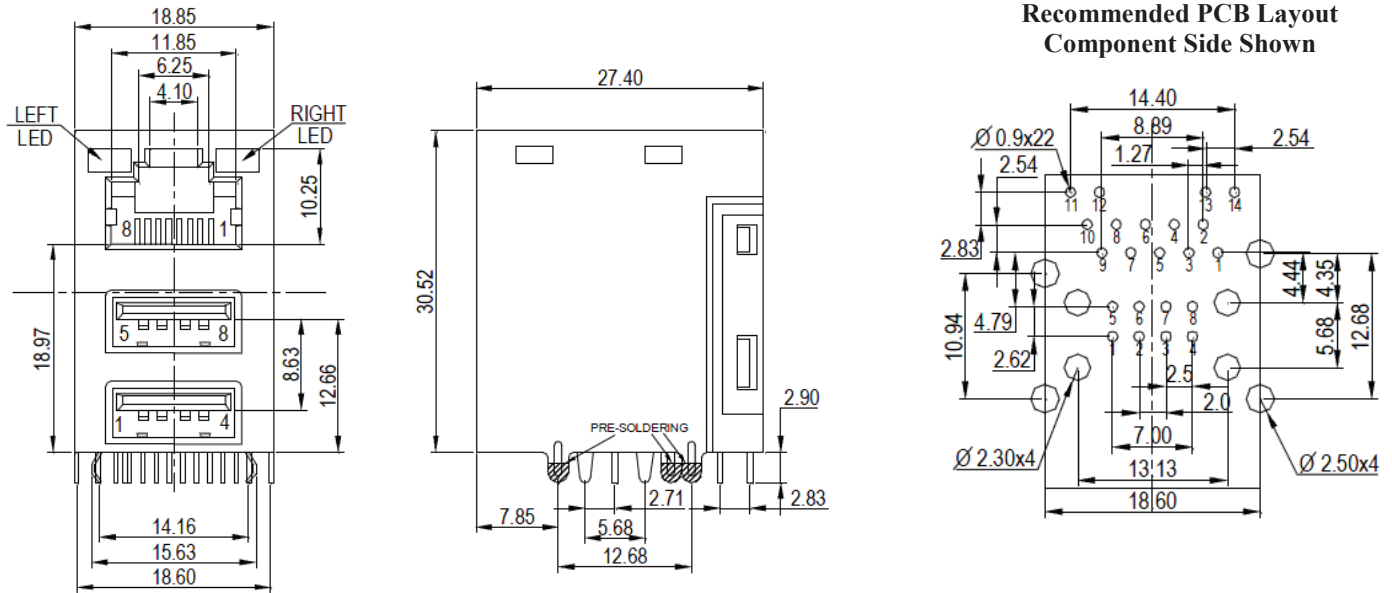
| Standard LED | Wavelength | Forward* V(MAX) | TYP  |
|--------------|------------|-----------------|------|
| Green        | 565nm      | 7.0v            | 6.8v |
| Yellow       | 585nm      | 8.5v            | 7.5v |

With a forward current of 20mA



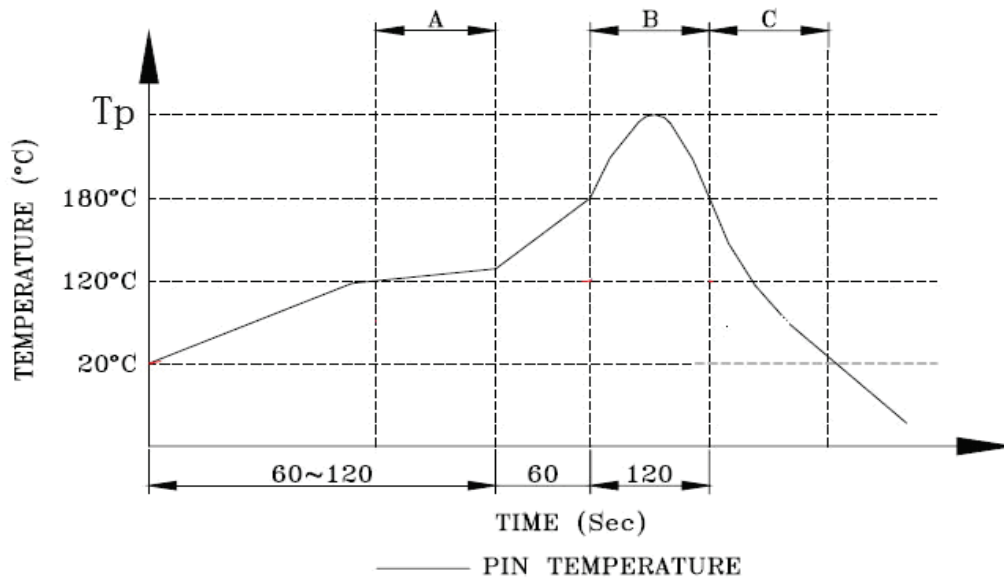
18.85 x 27.40 x 30.52mm

### MECHANICAL DIMENSIONS



Dimensions: mm (Unless otherwise specified, tolerances are  $\pm 0.25$ )

### WAVE SOLDERING PROFILE



A. Preheating B. Soldering C. Gradual Cooling

Peak temperature ( $T_p$ ) :  $250 \pm 10^\circ\text{C}$

Peak temperature ( $T_p$ ) time : 5sec max

# RJ45 10/100 Base-T / Dual USB Combo Jack, w/ LEDs, Ext Temp

**ARJ-150B**

**RoHS**  
Compliant

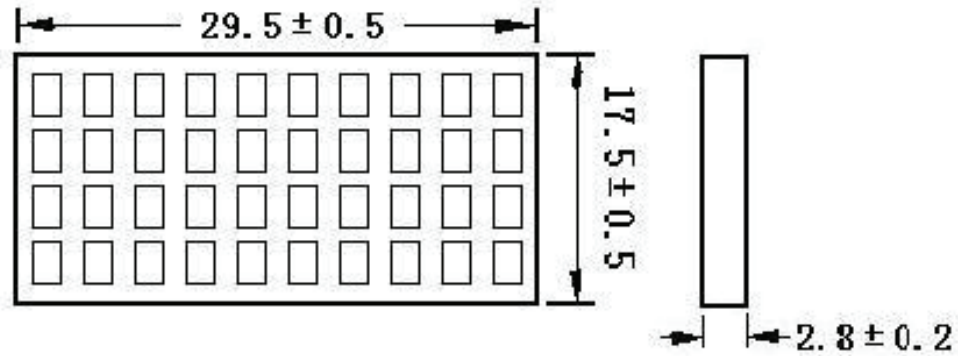


18.85 x 27.40 x 30.52mm

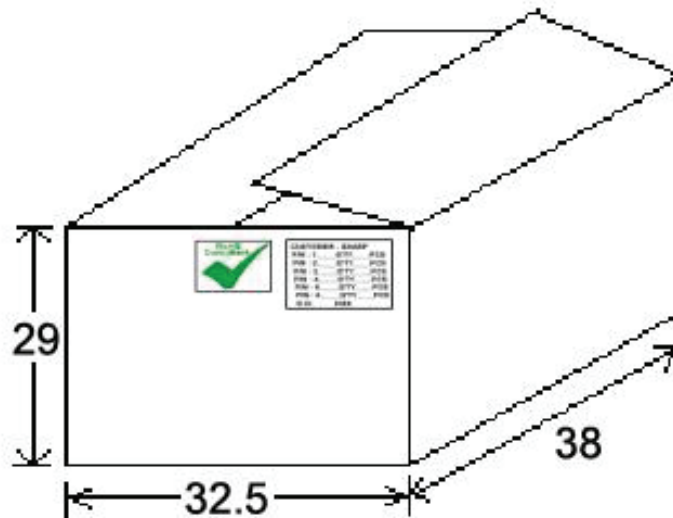
➤ **PACKING: 44pcs/tray**

**Packaging 40pcs/tray**

**Packaging Material: PET**



**Outer carton unit (optional): 640 pcs/16 trays/box**



**Dimensions: cm**

**ATTENTION:** Abracon Corporation's products are COTS – Commercial-Off-The-Shelf products; suitable for Commercial, Industrial and, where designated, Automotive Applications. Abracon's products are not specifically designed for Military, Aviation, Aerospace, Life-dependant Medical applications or any application requiring high reliability where component failure could result in loss of life and/or property. For applications requiring high reliability and/or presenting an extreme operating environment, written consent and authorization from Abracon Corporation is required. Please contact Abracon Corporation for more information.

ABRACON IS  
ISO 9001:2008  
CERTIFIED



2 Faraday, Suite# B | Irvine | CA 92618 **Revised: 06.30.15**

Ph. 949.546.8000 | Fax. 949.546.8001

Visit [www.abracon.com](http://www.abracon.com) for Terms and Conditions of Sale